

MULTI-FIT FAN MOTORS

NET4T



Freddox multi-fit fan motors are designed for use on condensing units, commercial evaporators and also ventilation units for air conditioning. Their spark free design allows their use in A2L applications.

These 4-pole motors, available in sizes from 5w to 34w, have a voltage rating of 230 V / 1 Ph / 50-60Hz.

Features

Spark free motors tested to comply with EN 60079-0- for use in explosive atmospheres

Direction of rotation anti-clockwise

Die-cast aluminium housing, shaft mounted using self-lubricating bearings with an oil reserve

Protection against blockages by impedance or thermal circuit breaker

Compliance with CE standard

Approval : VDE

Insulation class : B

Degree of protection: IP40

Electrical connections: cable 3 x 1.5 mm² length approx. 550 mm crimped ends

Operating temperature range: -40 to +40°C

3 horizontal or vertical fixing methods available :

- 3 rear tapped holes Ø M4 at 120° spacing 72 mm
- 4 screws protruding from the front face in Ø M4 for fixing to a grid/bracket
- 26 mm spacing support (screws + washers + nuts for mounting on a support)

Propeller/fan fixing by plastic adapter and M4 screw (supplied)

Conformity to Low Voltage Directive (LVD) 2014/35/EU, Electromagnetic Compatibility Directive (EMCD) 2014/30/EU, EN 60079-0:2012; EN 60079-0:2018 Explosive atmospheres

TECHNICAL DATA

MODEL	BRIC CODE	POWER OUTPUT (W)	POWER CONSUMPTION (W)	INPUT CURRENT (A)	FAN SPEED (rpm)
NET4T05	4401-NET4T05ZVN022	5	32	0,2	1300/1550
NET4T07	4401-NET4T07ZVN005	7	35	0,21	1300/1550
NET4T10	4401-NET4T10ZVN025	10	38	0,23	1300/1550
NET4T16	4401-NET4T16PVN015	16	65	0,45	1300/1550
NET4T18	4401-NET4T18PVN009	18	80	0,56	1300/1550
NET4T25	4401-NET4T25PVN010	25	95	0,68	1300/1550
NET4T34	4401-NET4T34PVN008	34	120	0,87	1300/1550

Dimensions (mm)

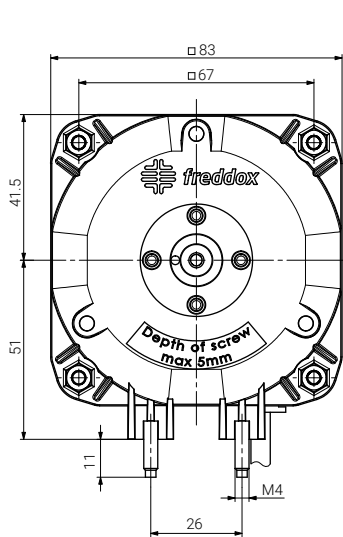


Fig.1

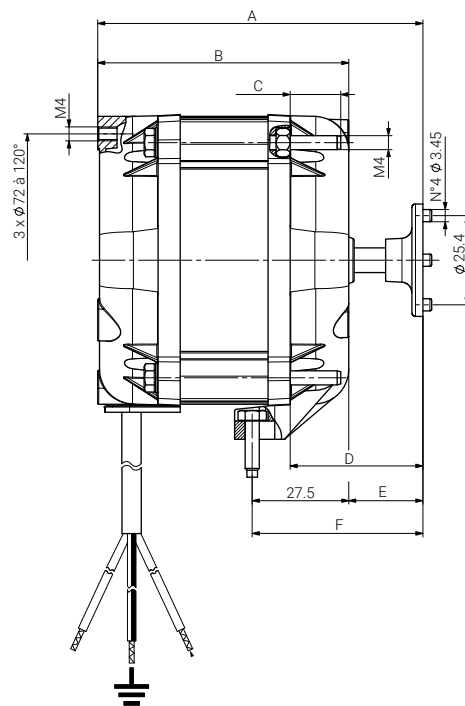
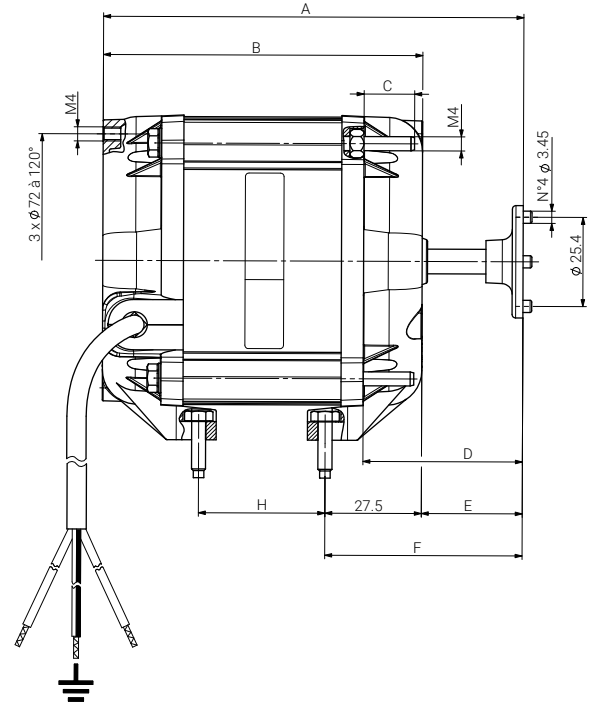


Fig.2



MODEL	A	B	C	D	E	F	H	WEIGHT (kg)	FIGURE
NET4T05	80,5	59,5	14,4	38	21	48,5	-	0,35	1
NET4T07	87,5	66	15	38	21,5	49	-	0,35	1
NET4T10	87,5	66	15	38	21,5	49	-	0,35	1
NET4T16	92,5	71,5	14,4	38	21	48,5	-	0,4	1
NET4T18	92	76	14,4	33	16	43,5	21	0,4	2
NET4T25	112	86	14,4	43	26	53,5	31	0,4	2
NET4T34	119,5	91	14,4	45,5	28,5	56	36	0,5	2

Manufacturer reserves the right to change any product specifications without notice.. Ref. : 4401-NET4T_2210_EN